



Product Catalogue 2026

Mini Excavators · Wheel Loaders · Front Loaders · Attachments

2026

Construction · Agriculture · Logistics

G&P Maschinen GmbH

Designed by Pinky Creative Studio — stopmetzoeken.store

Table of Contents

MINI EXCAVATORS

GP01MB	4
--------------	---

MINI WHEEL LOADERS

GP1825	6
--------------	---

ARTICULATED LOADERS

GP01O	8
-------------	---

FRONT LOADERS

MTS-400	11
MTS-700	12
MTS 900	13
MTS-1200	14
Tytan MT-01 MINI	15
Tytan MT-01	16
MTS-1600	17
Tytan MT-02	18
Tytan MT-03	19
Tytan MT-04	20

ATTACHMENTS

Ballenzange CHB-01	22
Quaderballenzange CHBK-01	23
Schaufel IA-01	24
Schaufel IA-02	25
Schaufel IA-03	26
Palettengabel 2,5 t	27
Niederhalter NH-01	28
Palettengabel mit Niederhalter PGN-01	29
Mist-Krokodilgebiss KZK-02 / KZP-02	30
Dunggabel WDO-01	31
Holzzange HZ-01	32
Hochkippschaufel LDW-01	33
Staplerschaufel LS-01 / LS-02	34
Greifschaukel LKZK-01	35
Mist-Krokodilgebiss KZK-01 / KZP-01	36
Strohgabel	37
Hochkippschaufel LDW-02	38
Hochkippschaufel LDW-03	39
Pelikangebiss PZP-01	40

Table of Contents (2)

WELD-ON PARTS / CUTTING SET

Anschweißteil Ahlmann, AS 45, 50e, AF60, AL60, 60e	42
Anschweißteil Ahlmann, AX 70, 85, 100	43
Anschweißteil Atlas, 32E	44
Anschweißteil Atlas, AR95	45
Anschweißteil Atlas, Schaeff Passend: AR42e tot AR85	46
Anschweißteil Bobcat / MF / Massey Ferguson verreiker klein	47
Anschweißteil Claas, scorpion verreiker	48
Anschweißteil Deutz, Agrovector - Cat	49
Anschweißteil Dieci / Faresin Passend: Samson 70.10	50
Anschweißteil Dieci / Faresin, Apollo 25.6	51
Anschweißteil Dieci / Faresin, Debalus 28.7	52
Anschweißteil Dieci / Faresin, Zeus 37.7	53
Anschweißteil Fuchs, Weidemann, Wacker, Mechanisch	54
Anschweißteil Genie. GTH 3007	55
Anschweißteil Giant recht, Pitbull, Eurotrac 20mm	56
Anschweißteil Giant schuin, Pitbull, Eurotrac, 20mm	57
Anschweißteil JCB / John Deere / Matbro / pin-cone	58
Anschweißteil JCB / Q-fit, 526-55, 527-55	59
Anschweißteil JCB Quick hitch	60
Anschweißteil John Deere Passend CX serie	61
Anschweißteil John Deere, CX-serie, zwaar	62
Anschweißteil Kramer / Volvo / Zettelmeijer, 880 , L40, L45 ZL1001	63
Anschweißteil Kramer Passend: 112 - 350	64
Anschweißteil Kramer Passend: 212 - 850	65
Anschweißteil Liebherr, 506, L507	66
Anschweißteil Manitou groot	67
Anschweißteil Manitou klein	68
Anschweißteil Merlo	69
Anschweißteil New Holland, LM410 tot LM430	70
Anschweißteil Terex, Schaeff, TL60, TL70, SKL 823 - 823, SKS 631	71
Anschweißteil Terex, Schaeff, TL80 - TL120, SKS 661, SKL 833 - 853	72
Anschweißteil Thaler los	73
Anschweißteil Volvo / Hitachi / JCB / Liebherr L50-L120	74
Anschweißteil Volvo / Zettelmeijer, L20, L25, ZL402	75
Anschweißteil Volvo, Hitachi, Liebherr L30	76
Anschweißteil Weidemann hydraulisch	77
Anschweißteil aanlasplaat Knikmops 70, 80, 90 en 100	78
Anschweißteil / koppelhaak Euro boven	79
Anschweißteil / koppelhaak Euro Onder	80
Anschweißöse koppelplaat Knikmops KM130	81
Anschweißöse Avant - Giant - Multione - Norcar zwaar	82
Anschweißöse euro recht	83
Anschweißöse Knikmops KM180 - KM250	84
Anschweißöse Paus	85

Table of Contents (3)

Anschweißteil Bobcat, schranklader plaat	86
Anschweißöse Schäffer aanlasoren schuin hydro(645MM)	87
Anschweißöse Schäffer aanlasoren schuin hydro(865MM)	88
Anschweißteil Schäffer koker gesneden	89
Anschweißteil Schäffer koker opname / JCB 403 op plaat	90
Anschweißteil Thaler gelast op plaat	91

Mini Excavators

Compact mini excavators. Agile, precise, for every job.

GP01MB

Mini Excavators

NEW



The GP01MB is a compact 1-tonne class mini excavator, ideal for tight construction sites, garden and landscaping work, civil engineering and house connections. With a transport width of only 750 mm, it fits through any house door and onto any trailer.

The Kubota Z482 Stage V diesel engine delivers 9.9 kW (13.5 hp) at an operating weight of 1050 kg and a maximum digging depth of 1700 mm. The foldable rubber tracks (180 mm) protect sensitive surfaces such as pavement, lawns and garden paths.

TECHNICAL DATA

ENGINE

Kubota Z482 (Stage V)

POWER (HP)

13.5

OPERATING WEIGHT (KG)

1050

MAX. DIG DEPTH (MM)

1700

MAX. REACH (MM)

3100

TRANSPORT WIDTH (MM)

750

BUCKET VOLUME (L)

22

BUCKET WIDTH (MM)

350

TRACK WIDTH (MM)

180

LENGTH (MM)

3200

HEIGHT (MM)

2200

TOP SPEED (KM/H)

2.2

Mini Wheel Loaders



MINI WHEEL LOADERS

GP1825

GP1825 — compact mini wheel loader class 2650 kg. Kubota V1505-EF01 Euro 5 engine, 18.2 kW / 25 hp, 1900 daN lift force, max lift height 2800 mm, articulated 40 deg, Bondioli & Pavesi hydraulics 180 bar / 56 l/min. Coming soon — factory assembly in Gehrden.



TECHNICAL DATA

- › Euro mount compatible with GP010
- › Heavy-duty steel construction · Hardox wear parts
- › Tool-free quick-change
- › Spare parts in stock · Service in DE/EN

Articulated Loaders



Articulated wheel loaders. Robust, precise, uncompromising.

GP010

Articulated Loaders

NEW



The GP010 is an efficient, versatile articulated wheel loader delivering high performance and power for daily professional use in construction, agriculture, horticulture and warehouse handling. Thanks to its robust build quality and modern Kubota Euro 5 (V1505) engine, this machine delivers unmatched performance in any situation.

With 24.47 hp engine output across 4 cylinders, the GP010 guarantees reliable performance and reaches a top speed of up to 12 km/h. The 0.5 m³ bucket with 1650 mm width and a maximum dump reach of 603 mm at full height enables fast, easy loading and unloading. A lift height of 2750 mm allows the GP010 to handle a wide range of tasks — from material transport to work on demanding terrain.

TECHNICAL DATA

ENGINE

Kubota V1505 (Euro 5)

POWER (HP)

24.47

LIFT CAPACITY (KG)

900

OPERATING WEIGHT (KG)

2300

BUCKET VOLUME (L)

500

BUCKET WIDTH (MM)

1650

TOP SPEED (KM/H)

12

LIFT HEIGHT (MM)

2750

LENGTH (MM)

4067

WIDTH (MM)

1451

HEIGHT (MM)

2254

TURNING RADIUS (MM)

3375

Colour Variants



GP010 Red



GP010 Blue



GP010 Yellow

Scope of Delivery

GP010 loader · standard 0.5 m³ bucket · mechanical quick-change system · joystick control · delivery within Germany and BeNeLux

Available Attachments

- snow plough
- 4-in-1 bucket
- pallet fork
- mower
- crocodile grab
- auger
- drill F130/120
- bale grab
- bucket with grab

Front Loaders



Front loaders for tractors from 20 to 180 hp. Euro mount, parallel linkage.

MTS-400

Front Loaders

NEW



The MTS-400 is a compact front loader for small tractors from 30 to 50 hp, ideal for hobby farming, horse stables and small nurseries. Lift capacity 400 kg, lift height 2500 mm.

Heavy-duty welded construction with steel tube frame, Euro/SMS mount for a wide range of attachments (bucket, pallet fork, bale grab). Mechanical quick-change standard, hydraulic quick-change on request.

TECHNICAL DATA

TRACTOR (HP)

30–50

LIFT CAPACITY (KG)

400

LIFT HEIGHT (MM)

2500

REACH (MM)

1200

ROLLBACK ANGLE (°)

45

DUMP ANGLE (°)

55

OPERATING WEIGHT (KG)

220

MOUNT

Euro / SMS

QUICK COUPLER

Mechanical (hydraulic optional)

MTS-700

Front Loaders

NEW



Heavy-duty MTS-700 front loader for professional use on farms, construction sites and municipal services.

Standard equipment: Euro carrier, third hydraulic section, joystick and self-levelling system. Powder coating in the customer's chosen colour.

TECHNICAL DATA

TRACTOR (HP)

50–80

LIFT CAPACITY (KG)

700

LIFT HEIGHT (MM)

2900

REACH (MM)

1450

ROLLBACK ANGLE (°)

47

DUMP ANGLE (°)

58

OPERATING WEIGHT (KG)

320

MOUNT

Euro / SMS

QUICK COUPLER

Mechanical (hydraulic optional)

MTS 900

Front Loaders

NEW



Heavy-duty MTS 900 front loader for professional use on farms, construction sites and municipal services.

Standard equipment: Euro carrier, third hydraulic section, joystick and self-levelling system. Powder coating in the customer's chosen colour.

TECHNICAL DATA

TRACTOR (HP)

70–100

LIFT CAPACITY (KG)

900

LIFT HEIGHT (MM)

3300

REACH (MM)

1600

ROLLBACK ANGLE (°)

50

DUMP ANGLE (°)

60

OPERATING WEIGHT (KG)

380

MOUNT

Euro / SMS

QUICK COUPLER

Hydraulic

MTS-1200

Front Loaders

NEW



Heavy-duty front loader for professional use on farms, construction sites and municipal services. Load-bearing steel frame ensures high stiffness and precise operation under full load.

Standard equipment includes Euro carrier, third hydraulic section, joystick and self-levelling system. Powder coating in the customer's chosen colour.

TECHNICAL DATA

TRACTOR (HP)

40-60

LIFT CAPACITY (KG)

1200

LIFT HEIGHT (MM)

3430

DUMP ANGLE (°)

58

OPERATING WEIGHT (KG)

460

Tytan MT-01 MINI

Front Loaders

NEW



Heavy-duty Tytan MT-01 MINI front loader for professional use on farms, construction sites and municipal services. Standard equipment: Euro carrier, third hydraulic section, joystick and self-levelling system. Powder coating in the customer's chosen colour.

TECHNICAL DATA

TRACTOR (HP)

80

LIFT CAPACITY (KG)

1300

LIFT HEIGHT (MM)

3220

DUMP ANGLE (°)

51

OPERATING WEIGHT (KG)

496

Tytan MT-01

Front Loaders

NEW



Heavy-duty Tytan MT-01 front loader for professional use on farms, construction sites and municipal services.

Standard equipment: Euro carrier, third hydraulic section, joystick and self-levelling system. Powder coating in the customer's chosen colour.

TECHNICAL DATA

TRACTOR (HP)

70-90

LIFT CAPACITY (KG)

1300

LIFT HEIGHT (MM)

3100

DUMP ANGLE (°)

58

OPERATING WEIGHT (KG)

496

MTS-1600

Front Loaders

NEW



Heavy-duty front loader for professional use on farms, construction sites and municipal services. Load-bearing steel frame ensures high stiffness and precise operation under full load.

Standard equipment includes Euro carrier, third hydraulic section, joystick and self-levelling system. Powder coating in the customer's chosen colour.

TECHNICAL DATA

TRACTOR (HP)

60-120

LIFT CAPACITY (KG)

1600

LIFT HEIGHT (MM)

3570

DUMP ANGLE (°)

62

OPERATING WEIGHT (KG)

550

Tytan MT-02

Front Loaders

NEW



Heavy-duty Tytan MT-02 front loader for professional use on farms, construction sites and municipal services.

Standard equipment: Euro carrier, third hydraulic section, joystick and self-levelling system. Powder coating in the customer's chosen colour.

TECHNICAL DATA

TRACTOR (HP)

60-120

LIFT CAPACITY (KG)

1600

LIFT HEIGHT (MM)

3593

DUMP ANGLE (°)

62

OPERATING WEIGHT (KG)

562

Tytan MT-03

Front Loaders

NEW



Heavy-duty front loader for professional use on farms, construction sites and municipal services. Load-bearing steel frame ensures high stiffness and precise operation under full load.

Standard equipment includes Euro carrier, third hydraulic section, joystick and self-levelling system. Powder coating in the customer's chosen colour.

TECHNICAL DATA

TRACTOR (HP)

90-150

LIFT CAPACITY (KG)

1800

LIFT HEIGHT (MM)

3920

DUMP ANGLE (°)

58

OPERATING WEIGHT (KG)

617

Tytan MT-04

Front Loaders

NEW



Heavy-duty front loader for professional use on farms, construction sites and municipal services. Load-bearing steel frame ensures high stiffness and precise operation under full load.

Standard equipment includes Euro carrier, third hydraulic section, joystick and self-levelling system. Powder coating in the customer's chosen colour.

TECHNICAL DATA

TRACTOR (HP)

120-190

LIFT CAPACITY (KG)

2000

LIFT HEIGHT (MM)

4500

DUMP ANGLE (°)

55

OPERATING WEIGHT (KG)

666

Attachments

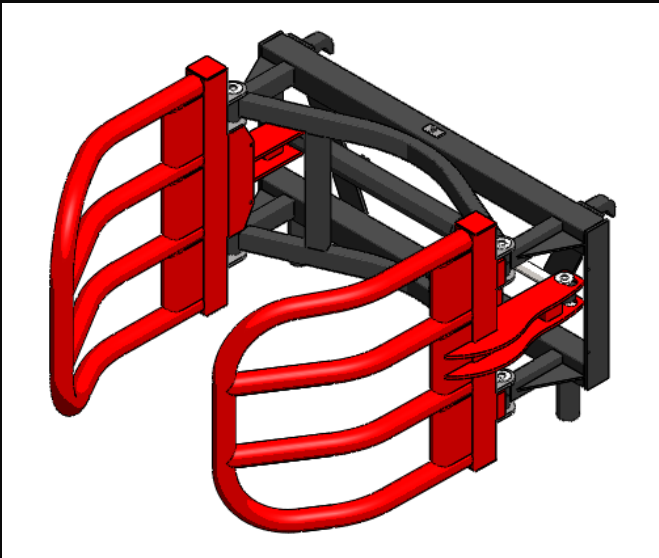


Attachments for every job. Tool-free quick-change system.

ATTACHMENTS

Ballenzange CHB-01

Hydraulic clamp for round bales up to 1100 kg. Two arched grabs with opposing support forks, heavy-duty steel construction, standard Euro mount. Working range 800–1850 mm.



TECHNICAL DATA

- › Euro mount compatible with GP010
- › Heavy-duty steel construction · Hardox wear parts
- › Tool-free quick-change
- › Spare parts in stock · Service in DE/EN

ATTACHMENTS

Quaderballenzange CHBK-01

Hydraulic clamp for square bales up to 1400 kg. Double U-frame on both sides for secure pickup of rectangular straw bales, hydraulic grip force, standard Euro mount. Working range 900–2100 mm.



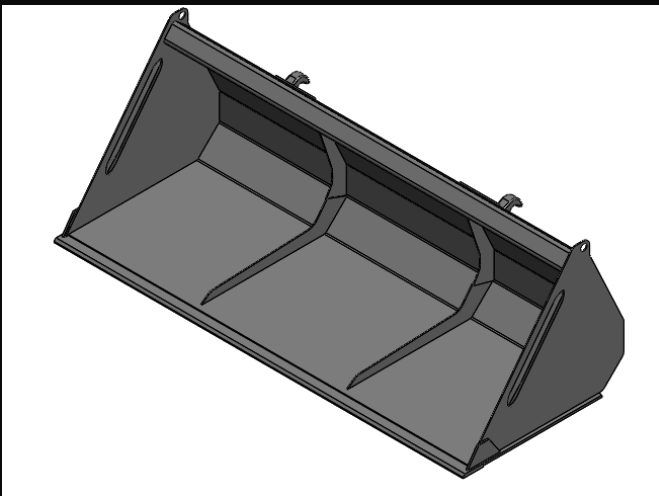
TECHNICAL DATA

- › Euro mount compatible with GP010
- › Heavy-duty steel construction · Hardox wear parts
- › Tool-free quick-change
- › Spare parts in stock · Service in DE/EN

ATTACHMENTS

Schaufel IA-01

Standard front-loader bucket 0.38–0.76 m³.
Trapezoidal steel construction with reinforced cutting edge, ideal for bulk material, soil and sand. Standard Euro mount. Lifting capacity up to 1200 kg per 1 m³.



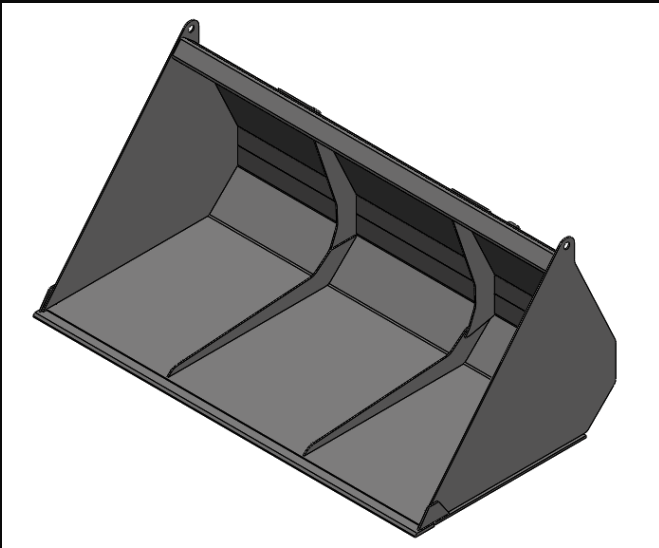
TECHNICAL DATA

- › Euro mount compatible with GP010
- › Heavy-duty steel construction · Hardox wear parts
- › Tool-free quick-change
- › Spare parts in stock · Service in DE/EN

ATTACHMENTS

Schaufel IA-02

Large standard front-loader bucket 1.00–1.99 m³. Reinforced steel construction with floor stiffening for heavy loads, suitable for soil, gravel and bulk material. Standard Euro mount. Lifting capacity up to 1500 kg.



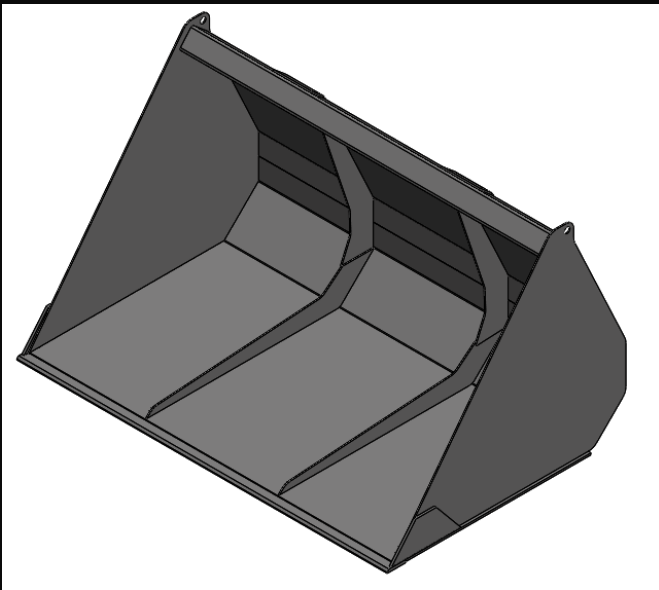
TECHNICAL DATA

- › Euro mount compatible with GP010
- › Heavy-duty steel construction · Hardox wear parts
- › Tool-free quick-change
- › Spare parts in stock · Service in DE/EN

ATTACHMENTS

Schaufel IA-03

XL standard front-loader bucket 1.75–2.60 m³.
Maximum volume bucket for very large front loaders,
robust steel construction. Standard Euro mount.



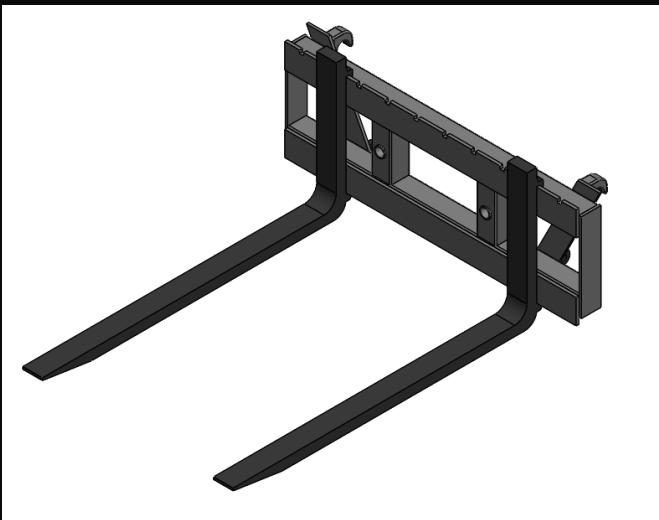
TECHNICAL DATA

- › Euro mount compatible with GP010
- › Heavy-duty steel construction · Hardox wear parts
- › Tool-free quick-change
- › Spare parts in stock · Service in DE/EN

ATTACHMENTS

Palettengabel 2,5 t

Pallet forks 2.5 t for front loader. Two reinforced steel tines on Euro mount frame, suitable for pallets, sacks and big bags. Standard Euro mount.



TECHNICAL DATA

- › Euro mount compatible with GP010
- › Heavy-duty steel construction · Hardox wear parts
- › Tool-free quick-change
- › Spare parts in stock · Service in DE/EN

ATTACHMENTS

Niederhalter NH-01



Hold-down (pressure bow) accessory for pallet forks. Hydraulically actuated, secures bales and bulky goods during transport. Working range max 1350 mm, own weight 80 kg.

TECHNICAL DATA

- › Euro mount compatible with GP010
- › Heavy-duty steel construction · Hardox wear parts
- › Tool-free quick-change
- › Spare parts in stock · Service in DE/EN

ATTACHMENTS

Palettengabel mit Niederhalter PGN-01

Pallet forks with hydraulic hold-down for securing tall loads (bales, sacks, pallets). Hold-down working range max 1350 mm, standard Euro mount.



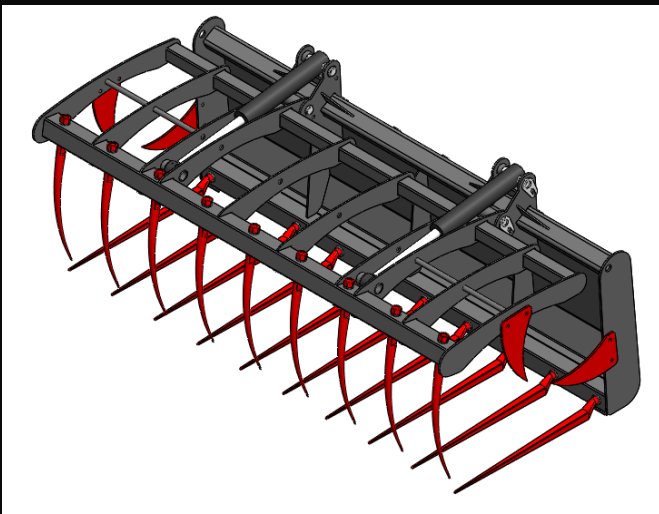
TECHNICAL DATA

- › Euro mount compatible with GP010
- › Heavy-duty steel construction · Hardox wear parts
- › Tool-free quick-change
- › Spare parts in stock · Service in DE/EN

ATTACHMENTS

Mist-Krokodilgebiss KZK-02 / KZP-02

Crocodile manure grab with bottom tray 0.56–1.15 m³. Long tray with crocodile grabs closing from both sides, ideal for loading manure, silage and bulk material. Standard Euro mount.



TECHNICAL DATA

- › Euro mount compatible with GP010
- › Heavy-duty steel construction · Hardox wear parts
- › Tool-free quick-change
- › Spare parts in stock · Service in DE/EN

ATTACHMENTS

Dunggabel WDO-01

Hydraulic manure fork with 6–10 tines for front loader. Forged steel tines, ideal for manure, silage and fibrous bulk material. Standard Euro mount. Load capacity up to 1100 kg.



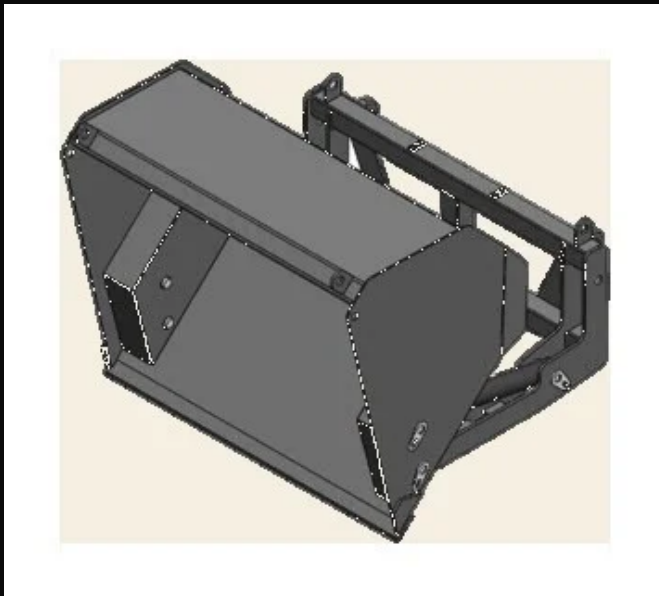
TECHNICAL DATA

- › Euro mount compatible with GP010
- › Heavy-duty steel construction · Hardox wear parts
- › Tool-free quick-change
- › Spare parts in stock · Service in DE/EN

ATTACHMENTS

Holzzange HZ-01

Hydraulic log grapple for trunks and split wood up to 1400 kg. Two arched grabs with support forks for secure pickup of wood bundles and individual logs. Standard Euro mount. Maximum grip range 970 mm.



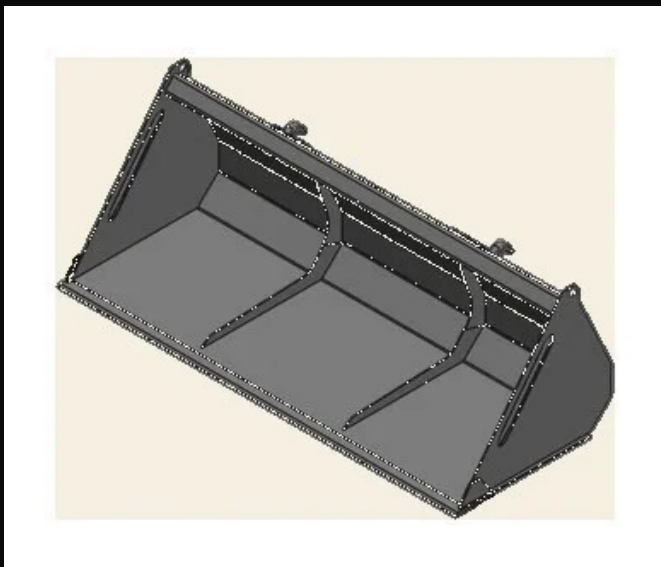
TECHNICAL DATA

- › Euro mount compatible with GP010
- › Heavy-duty steel construction · Hardox wear parts
- › Tool-free quick-change
- › Spare parts in stock · Service in DE/EN

ATTACHMENTS

Hochkippschaufel LDW-01

High-tip bucket with hydraulic dump 0.52–1.30 m³. Trapezoidal steel construction, tipping forward for high-dump into trailers and containers. Standard Euro mount. Lifting capacity up to 1200 kg.

**TECHNICAL DATA**

- › Euro mount compatible with GP010
- › Heavy-duty steel construction · Hardox wear parts
- › Tool-free quick-change
- › Spare parts in stock · Service in DE/EN

ATTACHMENTS

Staplerschaufel LS-01 / LS-02

Forklift bucket for front loaders and forklifts
0.38–0.76 m³. Reinforced bucket with upper grab
arms to secure loose loads. Standard Euro mount.



TECHNICAL DATA

- › Euro mount compatible with GP010
- › Heavy-duty steel construction · Hardox wear parts
- › Tool-free quick-change
- › Spare parts in stock · Service in DE/EN

ATTACHMENTS

Greifschaufel LKZK-01

Hydraulic grab bucket with hold-down 0.56–1.15 m³. Compact design with lower grab tines and upper hold-downs, ideal for manure, silage and fibrous material. Standard Euro mount.



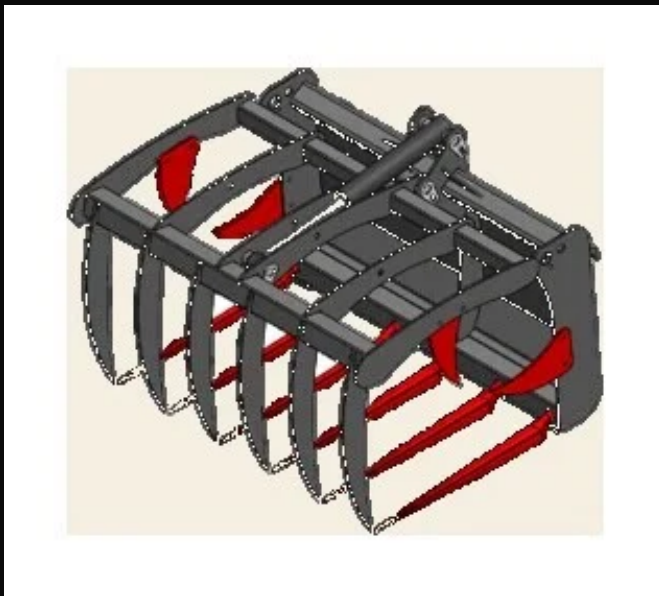
TECHNICAL DATA

- › Euro mount compatible with GP010
- › Heavy-duty steel construction · Hardox wear parts
- › Tool-free quick-change
- › Spare parts in stock · Service in DE/EN

ATTACHMENTS

Mist-Krokodilgebiss KZK-01 / KZP-01

Compact crocodile manure grab 900–1200 mm. Open variant without bottom tray with crocodile grabs, ideal for tighter stable areas and smaller front loaders. Standard Euro mount.



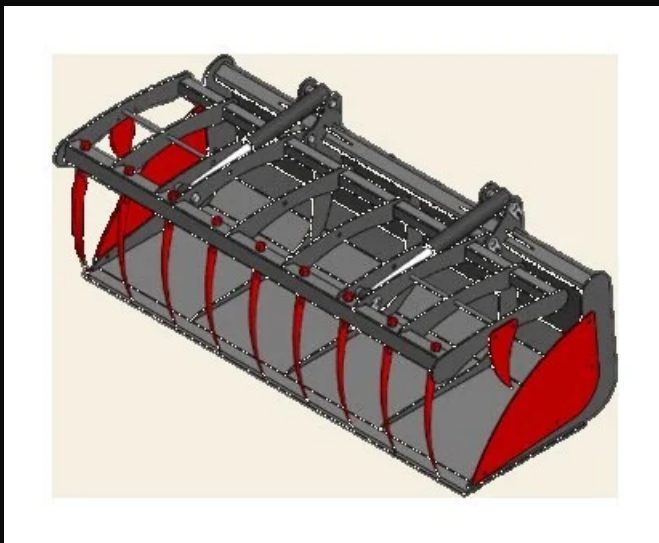
TECHNICAL DATA

- › Euro mount compatible with GP010
- › Heavy-duty steel construction · Hardox wear parts
- › Tool-free quick-change
- › Spare parts in stock · Service in DE/EN

ATTACHMENTS

Strohgabel

Straw fork with 2 long steel tines for front loader. Ideal for picking up straw bales and loose straw. Standard Euro mount. Load capacity up to 1800 kg.



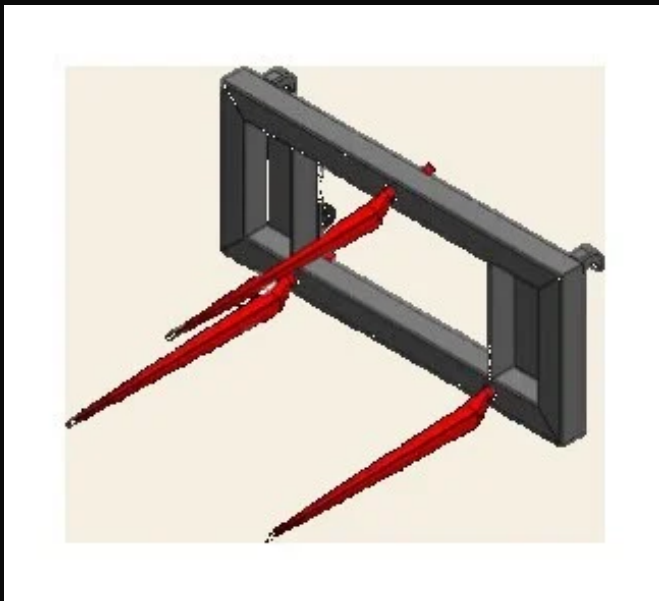
TECHNICAL DATA

- › Euro mount compatible with GP010
- › Heavy-duty steel construction · Hardox wear parts
- › Tool-free quick-change
- › Spare parts in stock · Service in DE/EN

ATTACHMENTS

Hochkippschaufel LDW-02

Medium high-tip bucket 1.40–2.30 m³ for medium and large front loaders. Trapezoidal steel construction with high center-of-gravity dump, ideal for bulk material and silage. Standard Euro mount.



TECHNICAL DATA

- › Euro mount compatible with GP010
- › Heavy-duty steel construction · Hardox wear parts
- › Tool-free quick-change
- › Spare parts in stock · Service in DE/EN

ATTACHMENTS

Hochkippschaufel LDW-03

Large high-tip bucket 1.60–3.00 m³ for large front loaders. Maximum volume for intensive bulk material work, high-dump trapezoidal construction. Standard Euro mount.



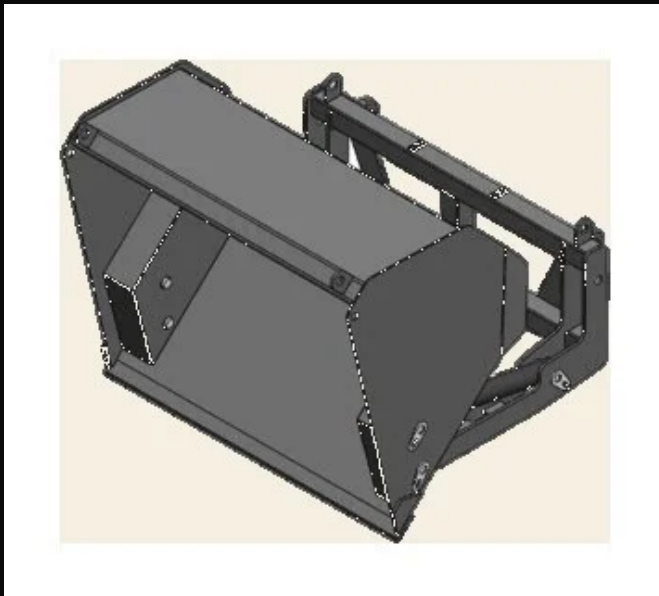
TECHNICAL DATA

- › Euro mount compatible with GP010
- › Heavy-duty steel construction · Hardox wear parts
- › Tool-free quick-change
- › Spare parts in stock · Service in DE/EN

ATTACHMENTS

Pelikangebiss PZP-01

Pelican grab with upper claw 0.82–1.40 m³. Aggressive jaw design with upper crocodile teeth and lower bucket tray with tines, ideal for bulky and fibrous materials. Standard Euro mount.



TECHNICAL DATA

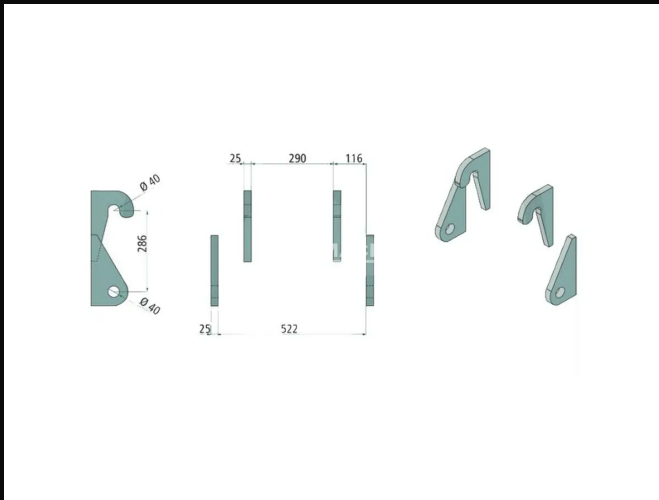
- › Euro mount compatible with GP010
- › Heavy-duty steel construction · Hardox wear parts
- › Tool-free quick-change
- › Spare parts in stock · Service in DE/EN

Weld-on Parts / Cutting S

WELD-ON PARTS / CUTTING SET

Anschweißteil Ahlmann, AS 45, 50e, AF60, AL60, 60e

Weld-on adapter compatible with Ahlmann, AS 45, 50e, AF60, AL60, 60e. Precision-machined steel design for secure mounting on the quick-coupler axle 40mm. Supplied as a set, price on request.



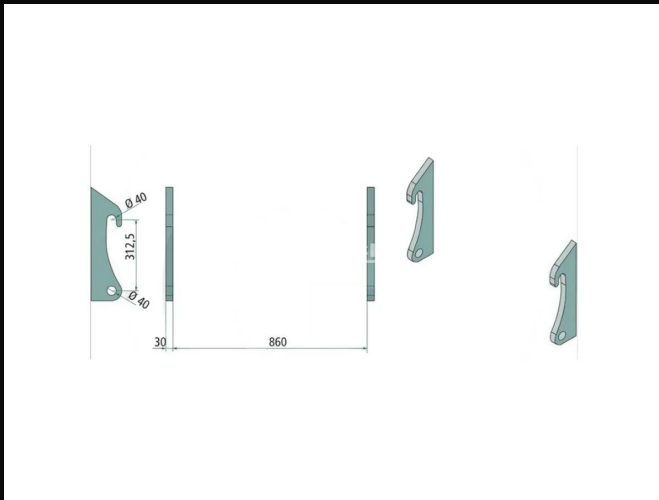
TECHNICAL DATA

- › Euro mount compatible with GP010
- › Heavy-duty steel construction · Hardox wear parts
- › Tool-free quick-change
- › Spare parts in stock · Service in DE/EN

WELD-ON PARTS / CUTTING SET

Anschweißteil Ahlmann, AX 70, 85, 100

Weld-on adapter compatible with Ahlmann, AX 70, 85, 100. Precision-machined steel design for secure mounting on the quick-coupler. axle 40mm. Supplied as a set, price on request.



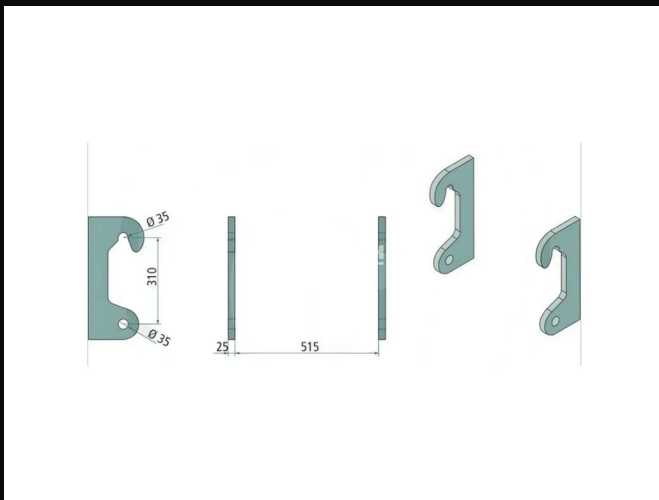
TECHNICAL DATA

- › Euro mount compatible with GP010
- › Heavy-duty steel construction · Hardox wear parts
- › Tool-free quick-change
- › Spare parts in stock · Service in DE/EN

WELD-ON PARTS / CUTTING SET

Anschweißteil Atlas, 32E

Weld-on adapter compatible with Atlas, 32E.
Precision-machined steel design for secure mounting
on the quick-coupler. axle 35mm. Supplied as a set,
price on request.



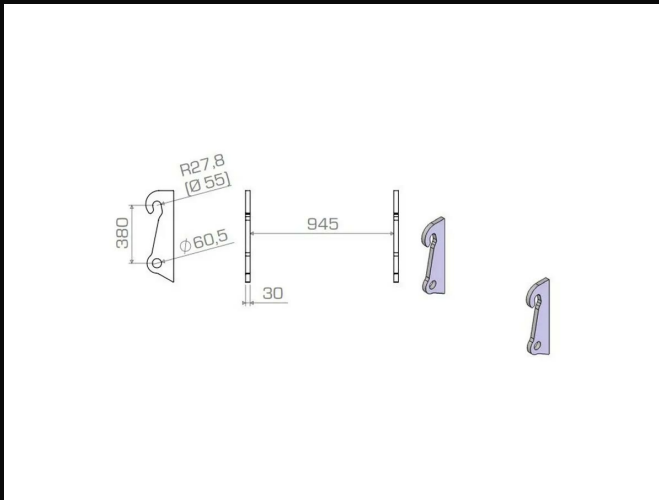
TECHNICAL DATA

- › Euro mount compatible with GP010
- › Heavy-duty steel construction · Hardox wear parts
- › Tool-free quick-change
- › Spare parts in stock · Service in DE/EN

WELD-ON PARTS / CUTTING SET

Anschweißteil Atlas, AR95

Weld-on adapter compatible with Atlas, AR95.
Precision-machined steel design for secure mounting
on the quick-coupler axle 55mm. Supplied as a set,
price on request.



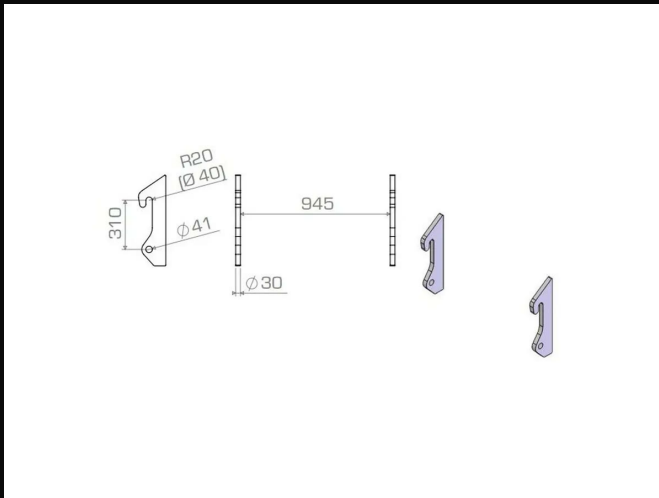
TECHNICAL DATA

- › Euro mount compatible with GP010
- › Heavy-duty steel construction · Hardox wear parts
- › Tool-free quick-change
- › Spare parts in stock · Service in DE/EN

WELD-ON PARTS / CUTTING SET

Anschweißteil Atlas, Schaeff Passend: AR42e tot AR85

Weld-on adapter compatible with Atlas, Schaeff Passend: AR42e tot AR85. Precision-machined steel design for secure mounting on the quick-coupler axle 40mm. Supplied as a set, price on request.



TECHNICAL DATA

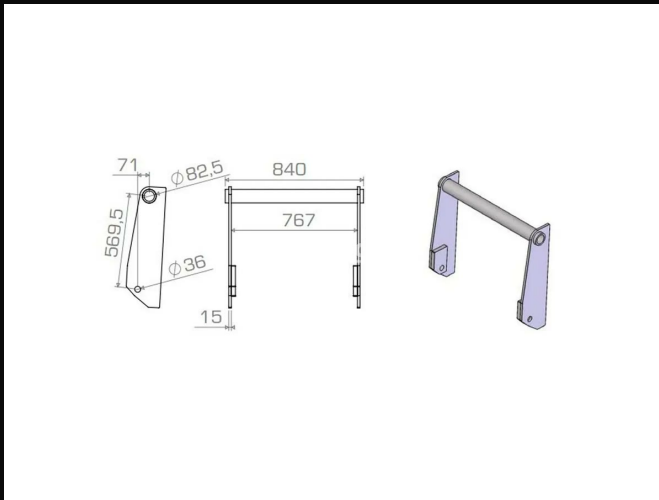
- › Euro mount compatible with GP010
- › Heavy-duty steel construction · Hardox wear parts
- › Tool-free quick-change
- › Spare parts in stock · Service in DE/EN

WELD-ON PARTS / CUTTING SET

Anschweißteil Bobcat / MF / Massey Ferguson verreiker klein

Weld-on adapter compatible with Bobcat / MF /
Massey Ferguson verreiker klein.

Precision-machined steel design for secure mounting
on the quick-coupler. axle 80mm. Supplied as a set,
price on request.



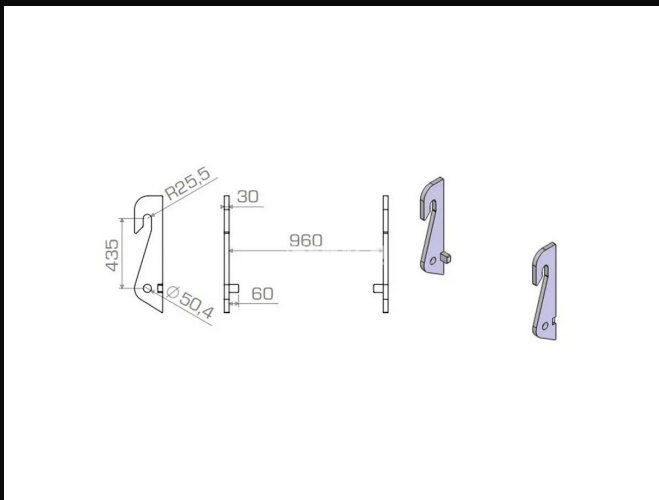
TECHNICAL DATA

- › Euro mount compatible with GP010
- › Heavy-duty steel construction · Hardox wear parts
- › Tool-free quick-change
- › Spare parts in stock · Service in DE/EN

WELD-ON PARTS / CUTTING SET

Anschweißteil Claas, scorpion verreiker

Weld-on adapter compatible with Claas, scorpion verreiker. Precision-machined steel design for secure mounting on the quick-coupler. axle 50mm. Supplied as a set, price on request.



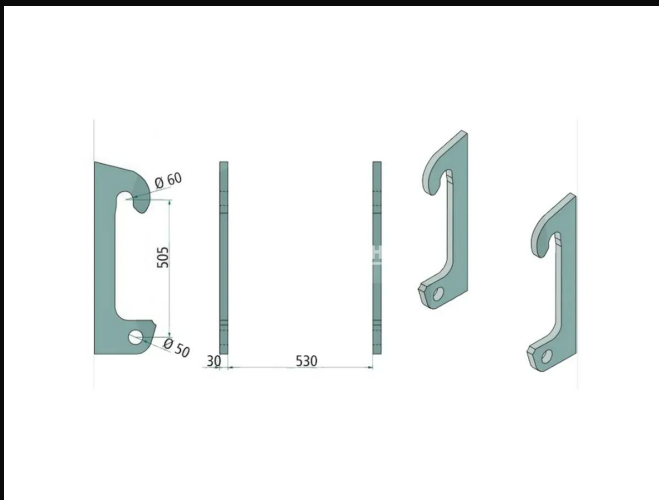
TECHNICAL DATA

- › Euro mount compatible with GP010
- › Heavy-duty steel construction · Hardox wear parts
- › Tool-free quick-change
- › Spare parts in stock · Service in DE/EN

WELD-ON PARTS / CUTTING SET

Anschweißteil Deutz, Agrovector - Cat

Weld-on adapter compatible with Deutz, Agrovector - Cat. Precision-machined steel design for secure mounting on the quick-coupler. axle 60mm. Supplied as a set, price on request.



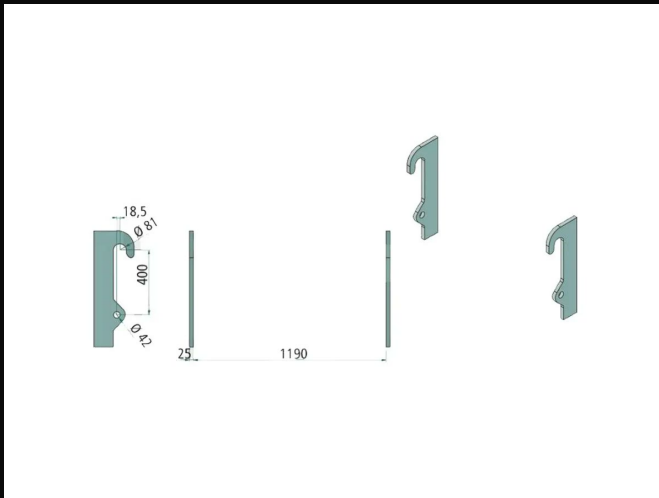
TECHNICAL DATA

- › Euro mount compatible with GP010
- › Heavy-duty steel construction · Hardox wear parts
- › Tool-free quick-change
- › Spare parts in stock · Service in DE/EN

WELD-ON PARTS / CUTTING SET

Anschweißteil Dieci / Faresin Passend: Samson 70.10

Weld-on adapter compatible with Dieci / Faresin Passend: Samson 70.10. Precision-machined steel design for secure mounting on the quick-coupler axle 80mm. Supplied as a set, price on request.



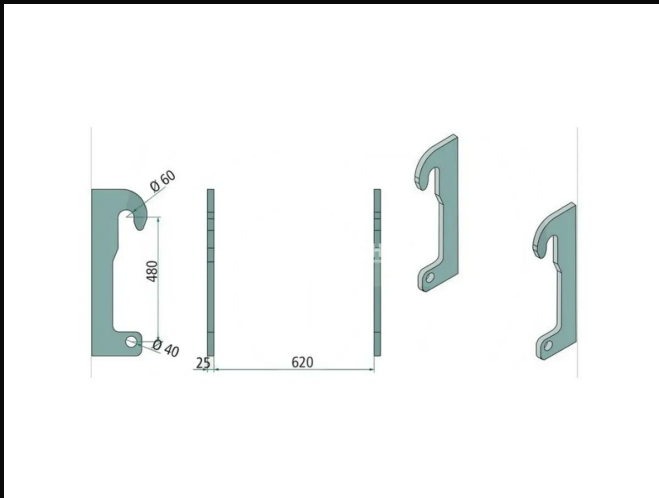
TECHNICAL DATA

- › Euro mount compatible with GP010
- › Heavy-duty steel construction · Hardox wear parts
- › Tool-free quick-change
- › Spare parts in stock · Service in DE/EN

WELD-ON PARTS / CUTTING SET

Anschweißteil Dieci / Faresin, Apollo 25.6

Weld-on adapter compatible with Dieci / Faresin, Apollo 25.6. Precision-machined steel design for secure mounting on the quick-coupler. axle 60mm. Supplied as a set, price on request.



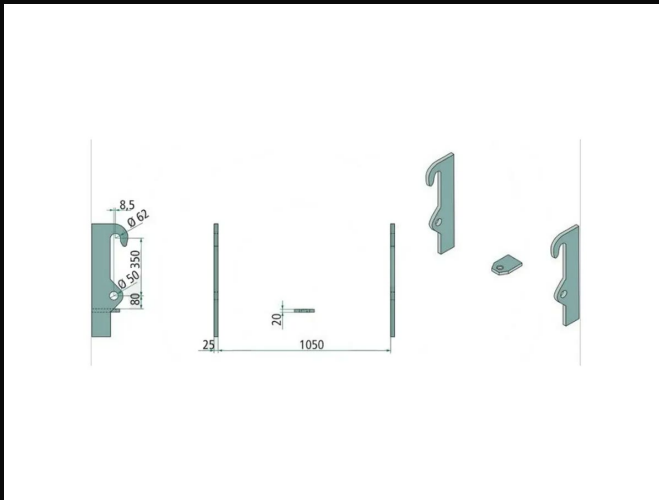
TECHNICAL DATA

- › Euro mount compatible with GP010
- › Heavy-duty steel construction · Hardox wear parts
- › Tool-free quick-change
- › Spare parts in stock · Service in DE/EN

WELD-ON PARTS / CUTTING SET

Anschweißteil Dieci / Faresin, Debalus 28.7

Weld-on adapter compatible with Dieci / Faresin, Debalus 28.7. Precision-machined steel design for secure mounting on the quick-coupler. axle 60mm. Supplied as a set, price on request.



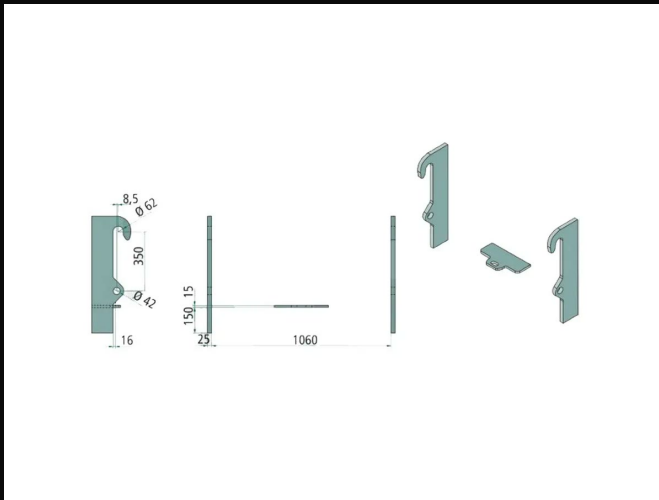
TECHNICAL DATA

- › Euro mount compatible with GP010
- › Heavy-duty steel construction · Hardox wear parts
- › Tool-free quick-change
- › Spare parts in stock · Service in DE/EN

WELD-ON PARTS / CUTTING SET

Anschweißteil Dieci / Faresin, Zeus 37.7

Weld-on adapter compatible with Dieci / Faresin, Zeus 37.7. Precision-machined steel design for secure mounting on the quick-coupler. axle 60mm. Supplied as a set, price on request.



TECHNICAL DATA

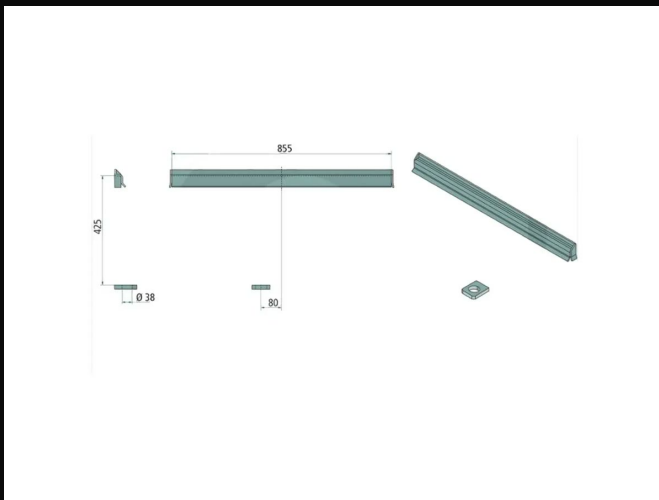
- › Euro mount compatible with GP010
- › Heavy-duty steel construction · Hardox wear parts
- › Tool-free quick-change
- › Spare parts in stock · Service in DE/EN

WELD-ON PARTS / CUTTING SET

Anschweißteil Fuchs, Weidemann, Wacker, Mechanisch

Weld-on adapter compatible with Fuchs,
Weidemann, Wacker, Mechanisch.

Precision-machined steel design for secure mounting
on the quick-coupler. Supplied as a set, price on
request.



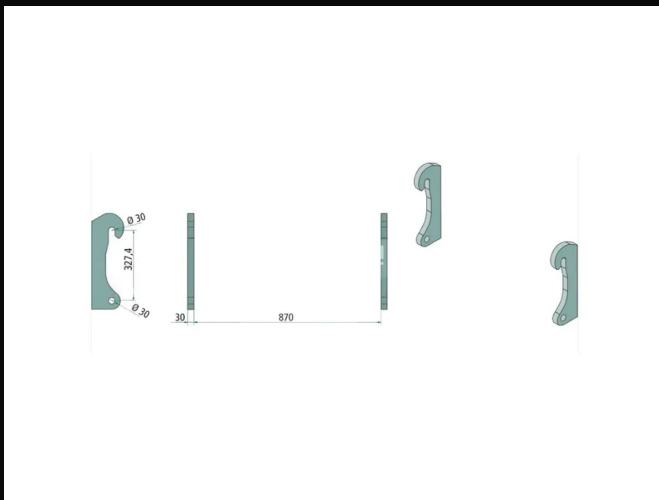
TECHNICAL DATA

- › Euro mount compatible with GP010
- › Heavy-duty steel construction · Hardox wear parts
- › Tool-free quick-change
- › Spare parts in stock · Service in DE/EN

WELD-ON PARTS / CUTTING SET

Anschweißteil Genie. GTH 3007

Weld-on adapter compatible with Genie. GTH 3007. Precision-machined steel design for secure mounting on the quick-coupler. axle 30mm. Supplied as a set, price on request.



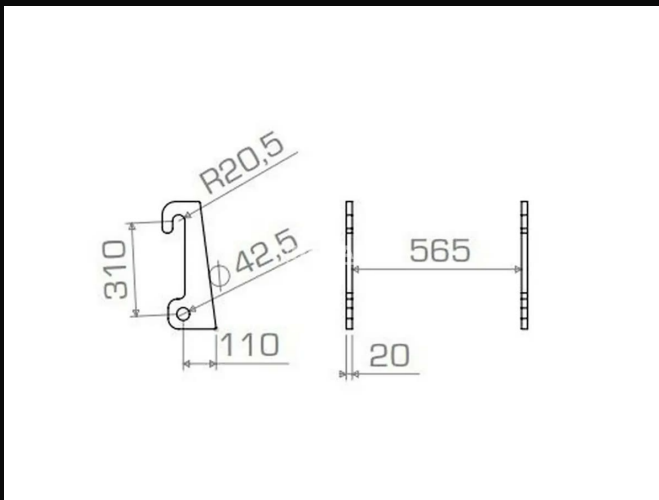
TECHNICAL DATA

- › Euro mount compatible with GP010
- › Heavy-duty steel construction · Hardox wear parts
- › Tool-free quick-change
- › Spare parts in stock · Service in DE/EN

WELD-ON PARTS / CUTTING SET

Anschweißteil Giant recht, Pitbull, Eurotrac 20mm

Weld-on adapter compatible with Giant recht, Pitbull, Eurotrac 20mm. Precision-machined steel design for secure mounting on the quick-coupler. axle 40mm. Supplied as a set, price on request.



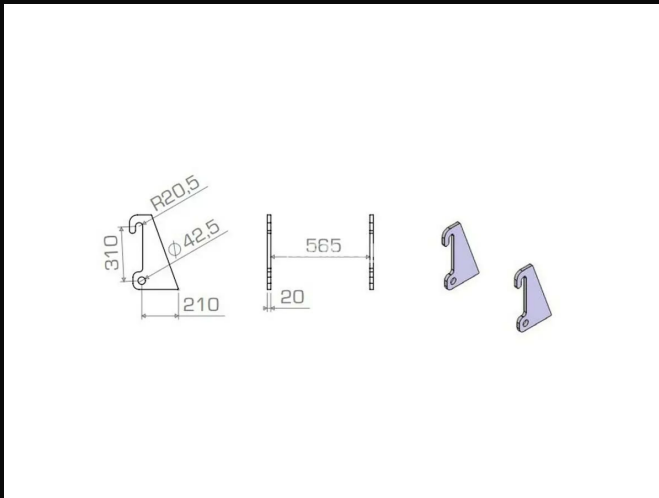
TECHNICAL DATA

- › Euro mount compatible with GP010
- › Heavy-duty steel construction · Hardox wear parts
- › Tool-free quick-change
- › Spare parts in stock · Service in DE/EN

WELD-ON PARTS / CUTTING SET

Anschweißteil Giant schuin, Pitbull, Eurotrac, 20mm

Weld-on adapter compatible with Giant schuin, Pitbull, Eurotrac, 20mm. Precision-machined steel design for secure mounting on the quick-coupler axle 40mm. Supplied as a set, price on request.



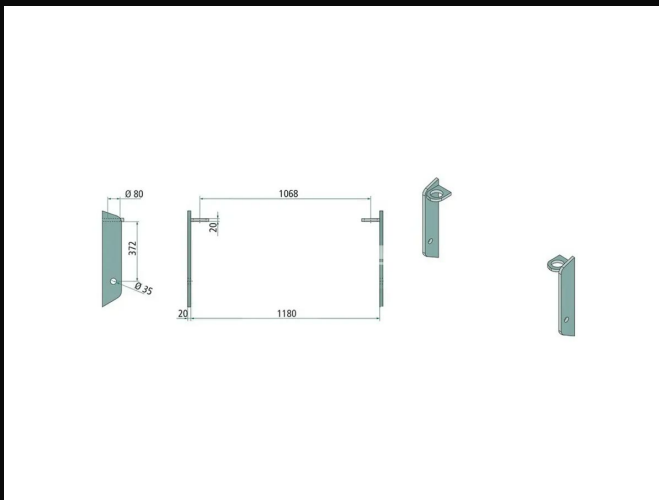
TECHNICAL DATA

- › Euro mount compatible with GP010
- › Heavy-duty steel construction · Hardox wear parts
- › Tool-free quick-change
- › Spare parts in stock · Service in DE/EN

WELD-ON PARTS / CUTTING SET

Anschweißteil JCB / John Deere / Matbro / pin-cone

Weld-on adapter compatible with JCB / John Deere / Matbro / pin-cone. Precision-machined steel design for secure mounting on the quick-coupler. axle 80mm. Supplied as a set, price on request.



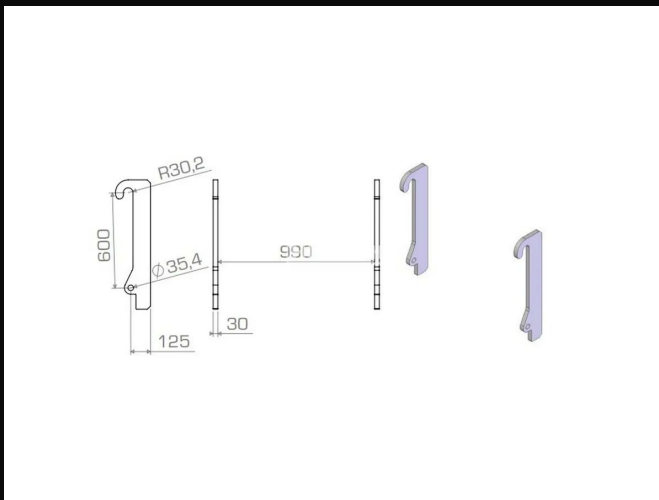
TECHNICAL DATA

- › Euro mount compatible with GP010
- › Heavy-duty steel construction · Hardox wear parts
- › Tool-free quick-change
- › Spare parts in stock · Service in DE/EN

WELD-ON PARTS / CUTTING SET

Anschweißteil JCB / Q-fit, 526-55, 527-55

Weld-on adapter compatible with JCB / Q-fit, 526-55, 527-55. Precision-machined steel design for secure mounting on the quick-coupler axle 60mm. Supplied as a set, price on request.



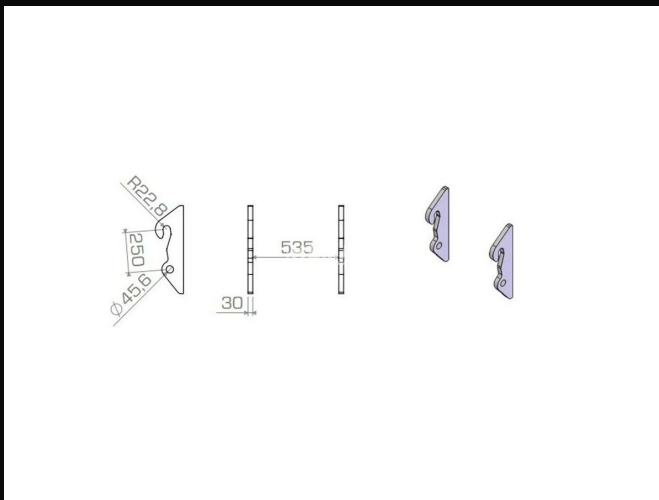
TECHNICAL DATA

- › Euro mount compatible with GP010
- › Heavy-duty steel construction · Hardox wear parts
- › Tool-free quick-change
- › Spare parts in stock · Service in DE/EN

WELD-ON PARTS / CUTTING SET

Anschweißteil JCB Quick hitch

Weld-on adapter compatible with JCB Quick hitch. Precision-machined steel design for secure mounting on the quick-coupler. axle 45mm. Supplied as a set, price on request.



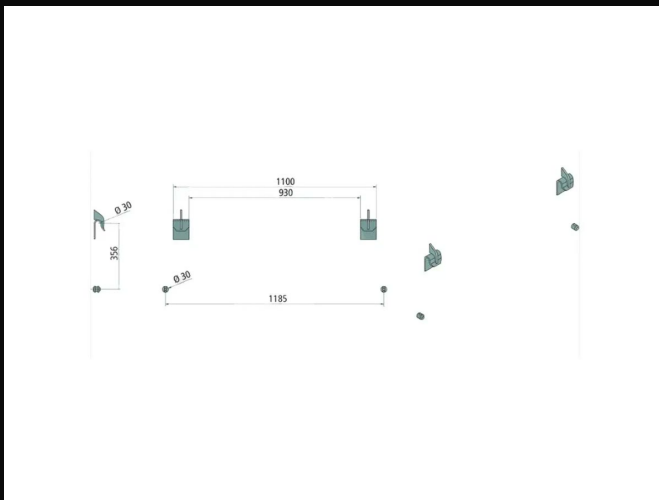
TECHNICAL DATA

- › Euro mount compatible with GP010
- › Heavy-duty steel construction · Hardox wear parts
- › Tool-free quick-change
- › Spare parts in stock · Service in DE/EN

WELD-ON PARTS / CUTTING SET

Anschweißteil John Deere Passend CX serie

Weld-on adapter compatible with John Deere Passend CX serie. Precision-machined steel design for secure mounting on the quick-coupler. axle 30mm. Supplied as a set, price on request.



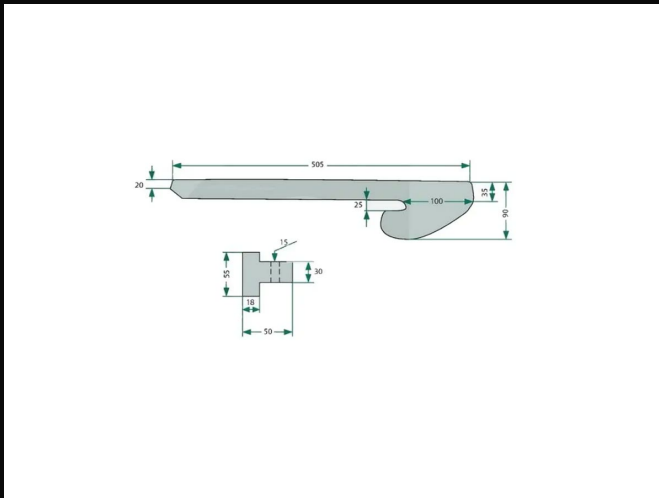
TECHNICAL DATA

- › Euro mount compatible with GP010
- › Heavy-duty steel construction · Hardox wear parts
- › Tool-free quick-change
- › Spare parts in stock · Service in DE/EN

WELD-ON PARTS / CUTTING SET

Anschweißteil John Deere, CX-serie, zwaar

Weld-on adapter compatible with John Deere, CX-serie, zwaar. Precision-machined steel design for secure mounting on the quick-coupler. axle 30mm. Supplied as a set, price on request.



TECHNICAL DATA

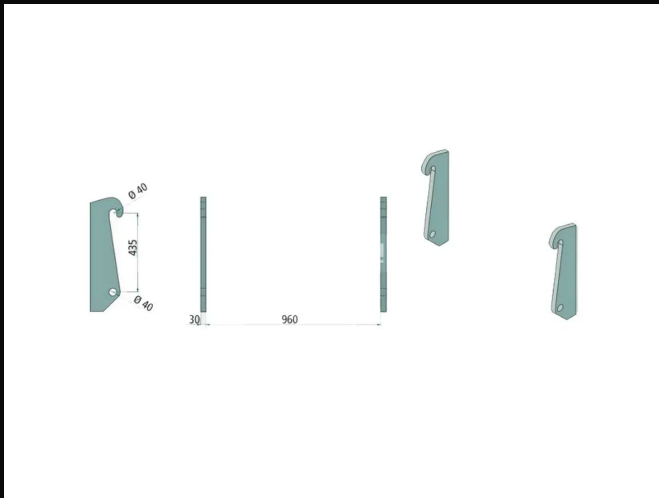
- › Euro mount compatible with GP010
- › Heavy-duty steel construction · Hardox wear parts
- › Tool-free quick-change
- › Spare parts in stock · Service in DE/EN

WELD-ON PARTS / CUTTING SET

Anschweißteil Kramer / Volvo / Zettelmeijer, 880 , L40, L45 ZL1001

Weld-on adapter compatible with Kramer / Volvo / Zettelmeijer, 880 , L40, L45 ZL1001.

Precision-machined steel design for secure mounting on the quick-coupler. axle 40mm. Supplied as a set, price on request.



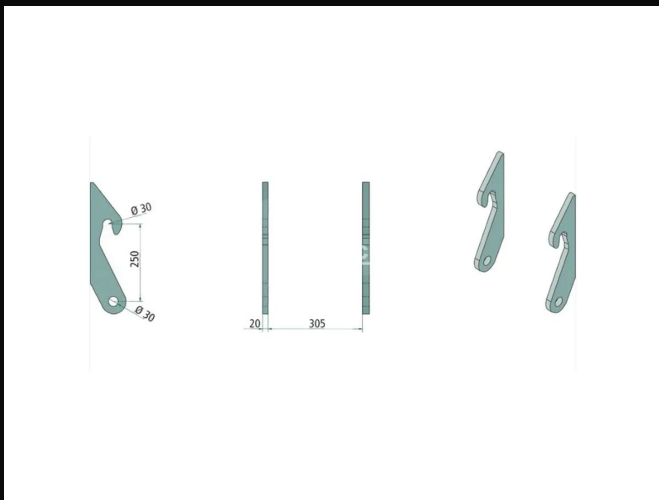
TECHNICAL DATA

- › Euro mount compatible with GP010
- › Heavy-duty steel construction · Hardox wear parts
- › Tool-free quick-change
- › Spare parts in stock · Service in DE/EN

WELD-ON PARTS / CUTTING SET

Anschweißteil Kramer Passend: 112 - 350

Weld-on adapter compatible with Kramer Passend: 112 - 350. Precision-machined steel design for secure mounting on the quick-coupler. axle 30mm. Supplied as a set, price on request.



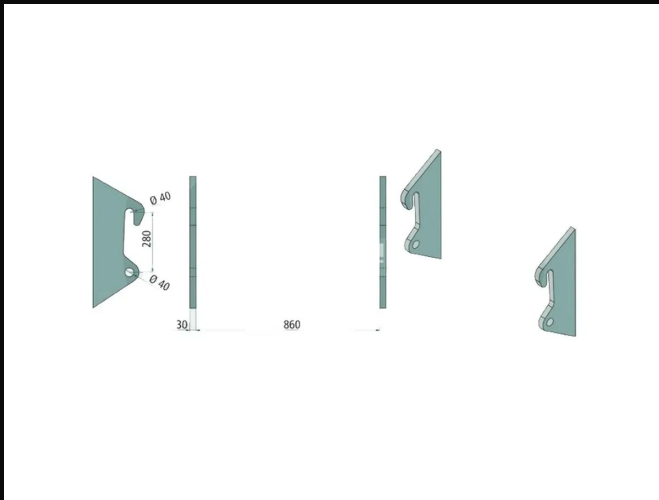
TECHNICAL DATA

- › Euro mount compatible with GP010
- › Heavy-duty steel construction · Hardox wear parts
- › Tool-free quick-change
- › Spare parts in stock · Service in DE/EN

WELD-ON PARTS / CUTTING SET

Anschweißteil Kramer Passend: 212 - 850

Weld-on adapter compatible with Kramer Passend: 212 - 850. Precision-machined steel design for secure mounting on the quick-coupler. axle 40mm. Supplied as a set, price on request.



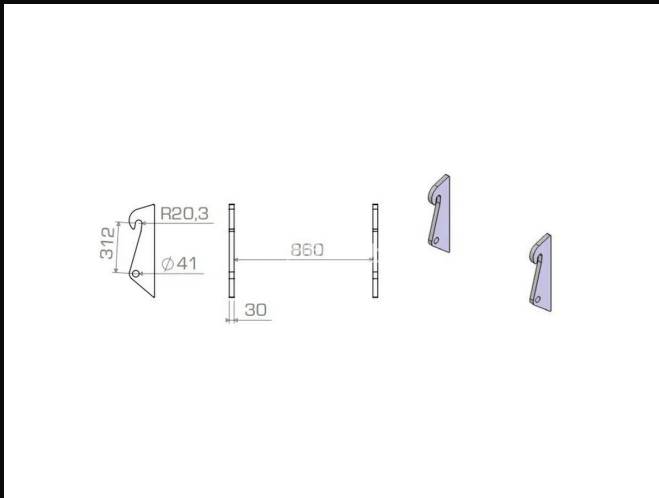
TECHNICAL DATA

- › Euro mount compatible with GP010
- › Heavy-duty steel construction · Hardox wear parts
- › Tool-free quick-change
- › Spare parts in stock · Service in DE/EN

WELD-ON PARTS / CUTTING SET

Anschweißteil Liebherr, 506, L507

Weld-on adapter compatible with Liebherr, 506, L507. Precision-machined steel design for secure mounting on the quick-coupler axle 60mm. Supplied as a set, price on request.



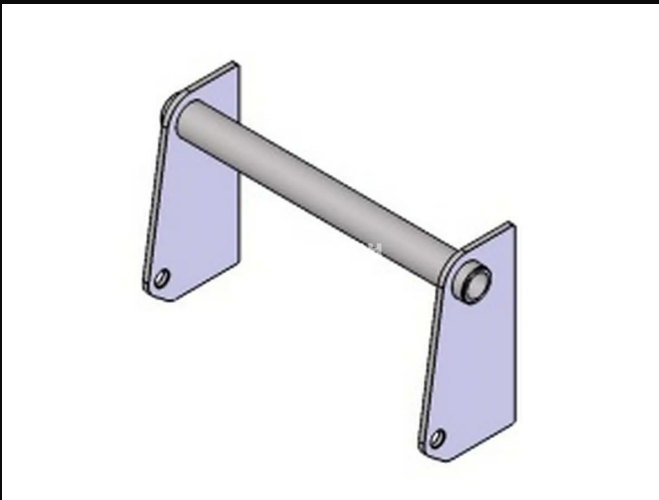
TECHNICAL DATA

- › Euro mount compatible with GP010
- › Heavy-duty steel construction · Hardox wear parts
- › Tool-free quick-change
- › Spare parts in stock · Service in DE/EN

WELD-ON PARTS / CUTTING SET

Anschweißteil Manitou groot

Weld-on adapter compatible with Manitou groot. Precision-machined steel design for secure mounting on the quick-coupler. axle 80mm. Supplied as a set, price on request.



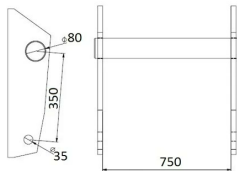
TECHNICAL DATA

- › Euro mount compatible with GP010
- › Heavy-duty steel construction · Hardox wear parts
- › Tool-free quick-change
- › Spare parts in stock · Service in DE/EN

WELD-ON PARTS / CUTTING SET

Anschweißteil Manitou klein

Weld-on adapter compatible with Manitou klein. Precision-machined steel design for secure mounting on the quick-coupler. axle 80mm. Supplied as a set, price on request.



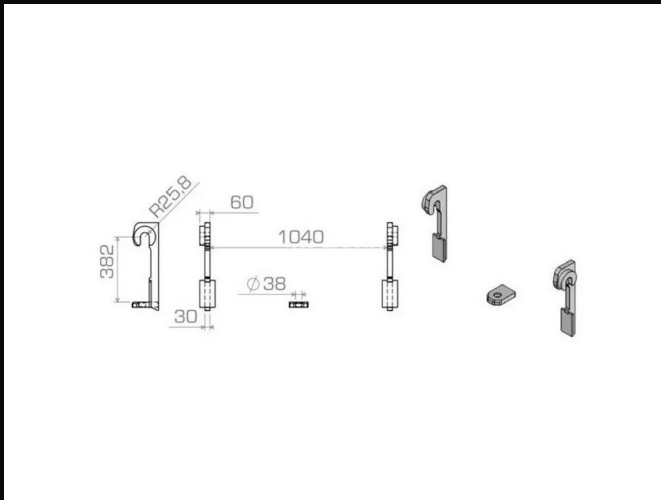
TECHNICAL DATA

- › Euro mount compatible with GP010
- › Heavy-duty steel construction · Hardox wear parts
- › Tool-free quick-change
- › Spare parts in stock · Service in DE/EN

WELD-ON PARTS / CUTTING SET

Anschweißteil Merlo

Weld-on adapter compatible with Merlo.
Precision-machined steel design for secure mounting
on the quick-coupler axle 50mm. Supplied as a set,
price on request.



TECHNICAL DATA

- › Euro mount compatible with GP010
- › Heavy-duty steel construction · Hardox wear parts
- › Tool-free quick-change
- › Spare parts in stock · Service in DE/EN

WELD-ON PARTS / CUTTING SET

Anschweißteil New Holland, LM410 tot LM430

Weld-on adapter compatible with New Holland, LM410 tot LM430. Precision-machined steel design for secure mounting on the quick-coupler. axle 80mm. Supplied as a set, price on request.



TECHNICAL DATA

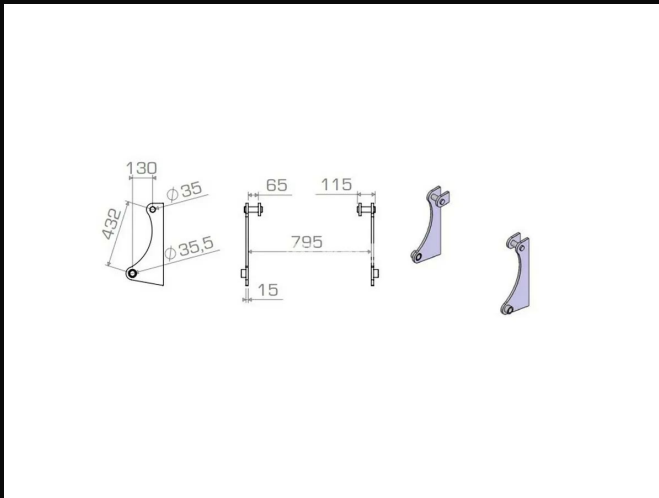
- › Euro mount compatible with GP010
- › Heavy-duty steel construction · Hardox wear parts
- › Tool-free quick-change
- › Spare parts in stock · Service in DE/EN

WELD-ON PARTS / CUTTING SET

Anschweißteil Terex, Schaeff, TL60, TL70, SKL 823 - 823, SKS 631

Weld-on adapter compatible with Terex, Schaeff, TL60, TL70, SKL 823 - 823, SKS 631.

Precision-machined steel design for secure mounting on the quick-coupler. Supplied as a set, price on request.



TECHNICAL DATA

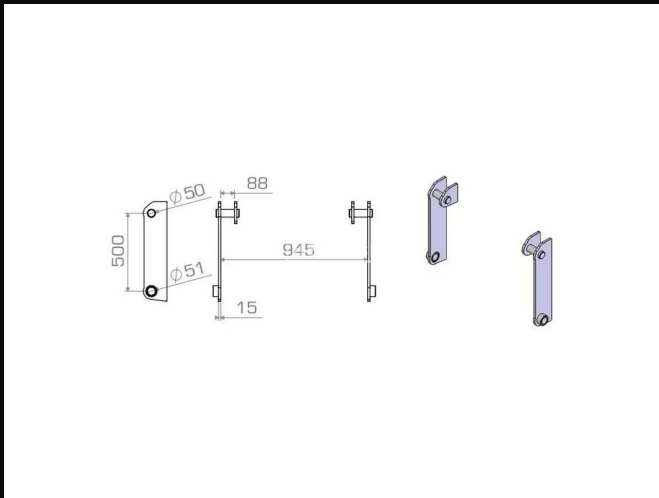
- › Euro mount compatible with GP010
- › Heavy-duty steel construction · Hardox wear parts
- › Tool-free quick-change
- › Spare parts in stock · Service in DE/EN

WELD-ON PARTS / CUTTING SET

Anschweißteil Terex, Schaeff, TL80 - TL120, SKS 661, SKL 833 - 853

Weld-on adapter compatible with Terex, Schaeff, TL80 - TL120, SKS 661, SKL 833 - 853.

Precision-machined steel design for secure mounting on the quick-coupler. axle 50mm. Supplied as a set, price on request.



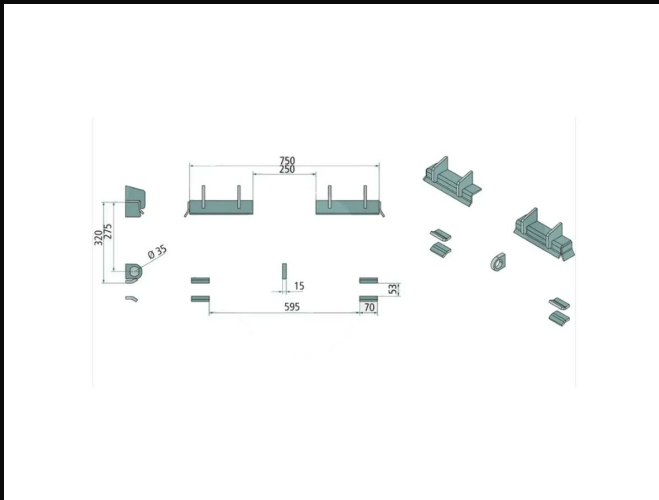
TECHNICAL DATA

- › Euro mount compatible with GP010
- › Heavy-duty steel construction · Hardox wear parts
- › Tool-free quick-change
- › Spare parts in stock · Service in DE/EN

WELD-ON PARTS / CUTTING SET

Anschweißteil Thaler los

Weld-on adapter compatible with Thaler los.
Precision-machined steel design for secure mounting
on the quick-coupler. Supplied as a set, price on
request.



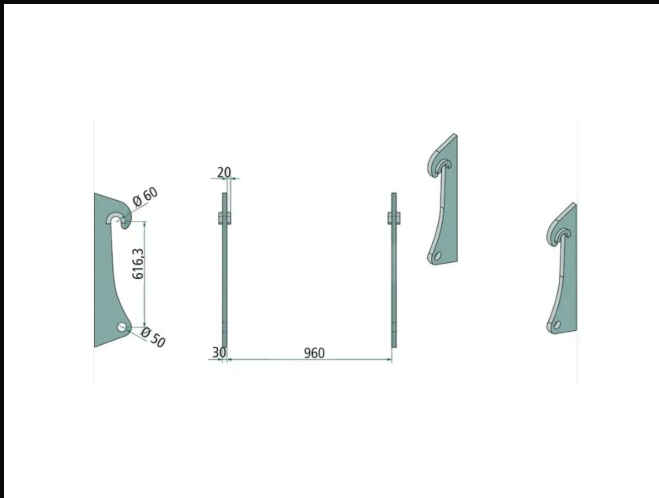
TECHNICAL DATA

- › Euro mount compatible with GP010
- › Heavy-duty steel construction · Hardox wear parts
- › Tool-free quick-change
- › Spare parts in stock · Service in DE/EN

WELD-ON PARTS / CUTTING SET

Anschweißteil Volvo / Hitachi / JCB / Liebherr L50-L120

Weld-on adapter compatible with Volvo / Hitachi / JCB / Liebherr L50-L120. Precision-machined steel design for secure mounting on the quick-coupler axle 60mm. Supplied as a set, price on request.



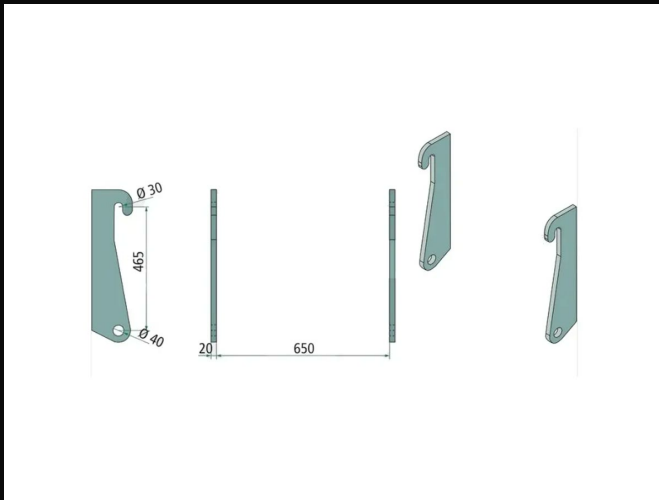
TECHNICAL DATA

- › Euro mount compatible with GP010
- › Heavy-duty steel construction · Hardox wear parts
- › Tool-free quick-change
- › Spare parts in stock · Service in DE/EN

WELD-ON PARTS / CUTTING SET

Anschweißteil Volvo / Zettelmeijer, L20, L25, ZL402

Weld-on adapter compatible with Volvo / Zettelmeijer, L20, L25, ZL402. Precision-machined steel design for secure mounting on the quick-coupler axle 30mm. Supplied as a set, price on request.



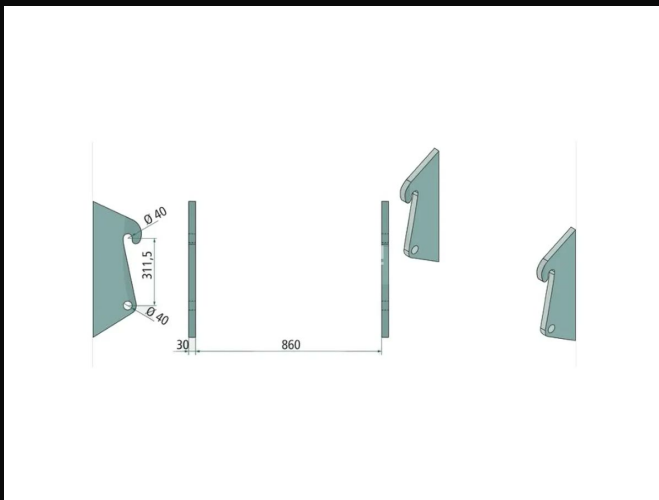
TECHNICAL DATA

- › Euro mount compatible with GP010
- › Heavy-duty steel construction · Hardox wear parts
- › Tool-free quick-change
- › Spare parts in stock · Service in DE/EN

WELD-ON PARTS / CUTTING SET

Anschweißteil Volvo, Hitachi, Liebherr L30

Weld-on adapter compatible with Volvo, Hitachi, Liebherr L30. Precision-machined steel design for secure mounting on the quick-coupler. axle 40mm. Supplied as a set, price on request.



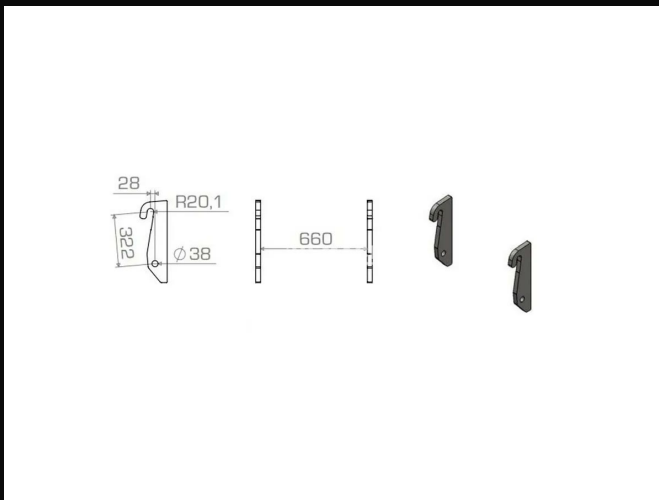
TECHNICAL DATA

- › Euro mount compatible with GP010
- › Heavy-duty steel construction · Hardox wear parts
- › Tool-free quick-change
- › Spare parts in stock · Service in DE/EN

WELD-ON PARTS / CUTTING SET

Anschweißteil Weidemann hydraulisch

Weld-on adapter compatible with Weidemann hydraulisch. Precision-machined steel design for secure mounting on the quick-coupler. axle 40mm. Supplied as a set, price on request.



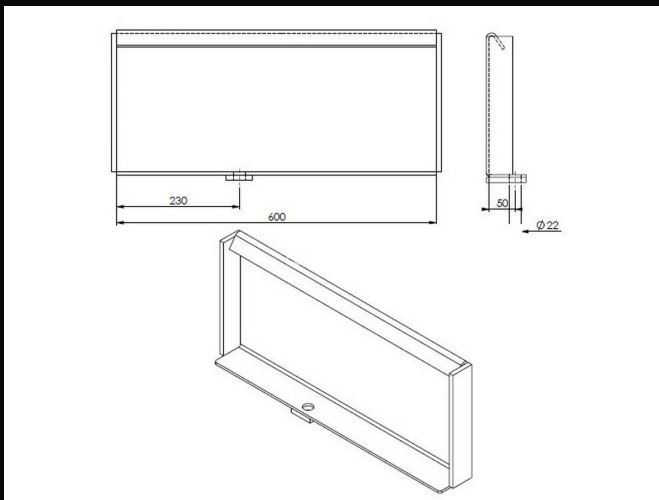
TECHNICAL DATA

- › Euro mount compatible with GP010
- › Heavy-duty steel construction · Hardox wear parts
- › Tool-free quick-change
- › Spare parts in stock · Service in DE/EN

WELD-ON PARTS / CUTTING SET

Anschweißteil aanlasplaat Knikmops 70, 80, 90 en 100

Weld-on adapter compatible with aanlasplaat Knikmops 70, 80, 90 en 100. Precision-machined steel design for secure mounting on the quick-coupler. Supplied as a set, price on request.



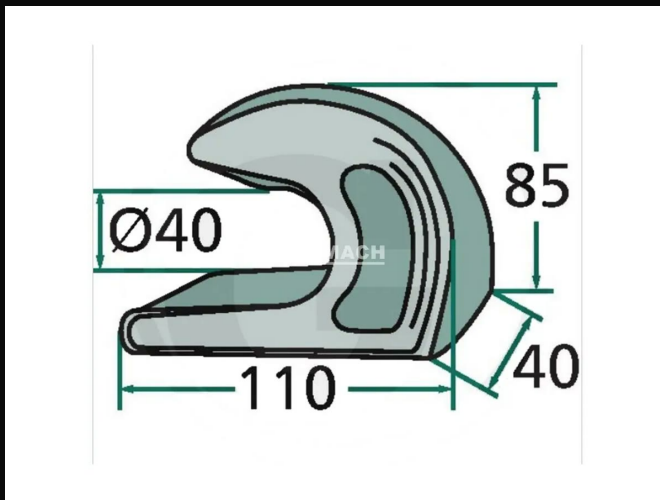
TECHNICAL DATA

- › Euro mount compatible with GP010
- › Heavy-duty steel construction · Hardox wear parts
- › Tool-free quick-change
- › Spare parts in stock · Service in DE/EN

WELD-ON PARTS / CUTTING SET

Anschweißteil / koppelhaak Euro boven

Weld-on adapter compatible with / koppelhaak Euro boven. Precision-machined steel design for secure mounting on the quick-coupler. axle 40mm. Supplied as a set, price on request.



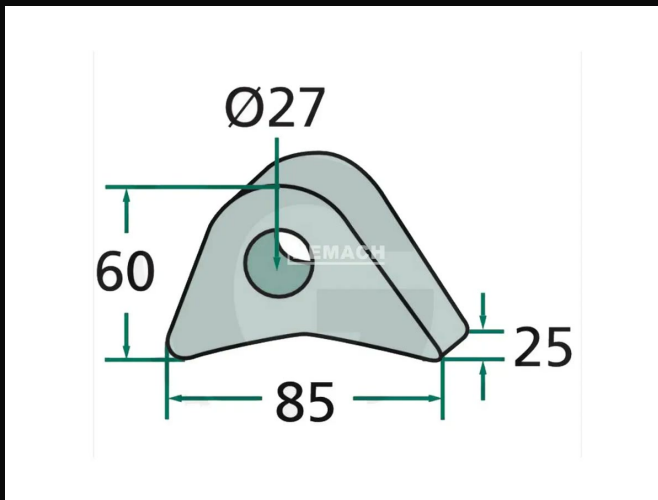
TECHNICAL DATA

- › Euro mount compatible with GP010
- › Heavy-duty steel construction · Hardox wear parts
- › Tool-free quick-change
- › Spare parts in stock · Service in DE/EN

WELD-ON PARTS / CUTTING SET

Anschweißteil / koppelhaak Euro Onder

Weld-on adapter compatible with / koppelhaak Euro Onder. Precision-machined steel design for secure mounting on the quick-coupler. axle 25mm. Supplied as a set, price on request.



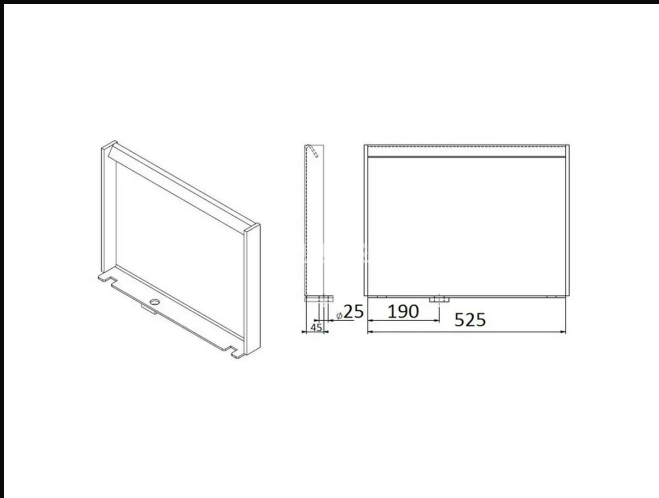
TECHNICAL DATA

- › Euro mount compatible with GP010
- › Heavy-duty steel construction · Hardox wear parts
- › Tool-free quick-change
- › Spare parts in stock · Service in DE/EN

WELD-ON PARTS / CUTTING SET

Anschweißöse koppelplaat Knikmops KM130

Weld-on lug compatible with koppelplaat Knikmops KM130. Heavy steel design for direct welding to the attachment. Price on request.



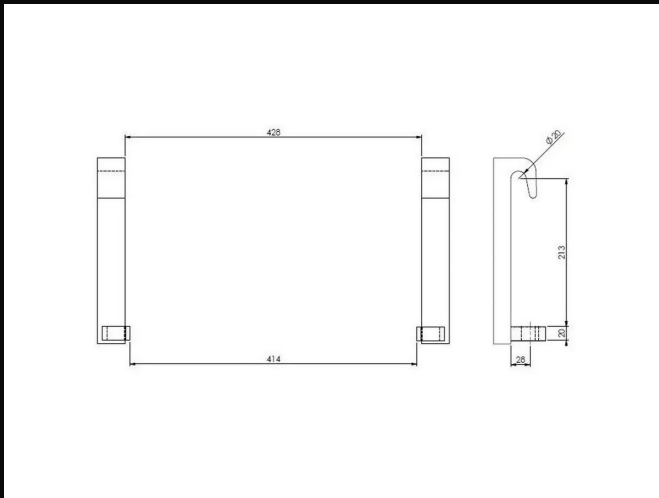
TECHNICAL DATA

- › Euro mount compatible with GP010
- › Heavy-duty steel construction · Hardox wear parts
- › Tool-free quick-change
- › Spare parts in stock · Service in DE/EN

WELD-ON PARTS / CUTTING SET

Anschweißöse Avant - Giant - Multione - Norcar zwaar

Weld-on lug compatible with Avant - Giant - Multione - Norcar zwaar. Heavy steel design for direct welding to the attachment. axle 20mm. Price on request.



TECHNICAL DATA

- › Euro mount compatible with GP010
- › Heavy-duty steel construction · Hardox wear parts
- › Tool-free quick-change
- › Spare parts in stock · Service in DE/EN

WELD-ON PARTS / CUTTING SET

Anschweißöse euro recht

Weld-on lug compatible with euro recht. Heavy steel design for direct welding to the attachment. axle 40mm. Price on request.



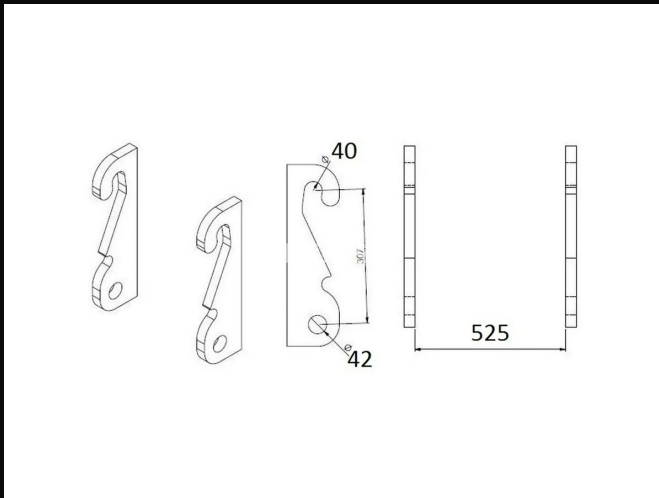
TECHNICAL DATA

- › Euro mount compatible with GP010
- › Heavy-duty steel construction · Hardox wear parts
- › Tool-free quick-change
- › Spare parts in stock · Service in DE/EN

WELD-ON PARTS / CUTTING SET

Anschweißöse Knikmops KM180 - KM250

Weld-on lug compatible with Knikmops KM180 - KM250. Heavy steel design for direct welding to the attachment. axle 40mm. Price on request.



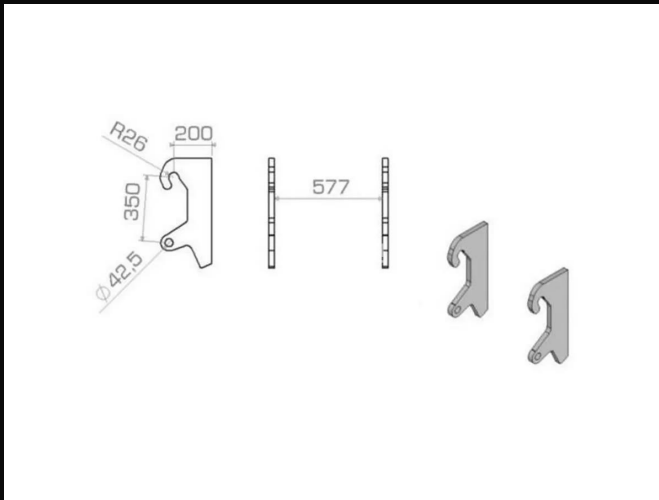
TECHNICAL DATA

- › Euro mount compatible with GP010
- › Heavy-duty steel construction · Hardox wear parts
- › Tool-free quick-change
- › Spare parts in stock · Service in DE/EN

WELD-ON PARTS / CUTTING SET

Anschweißöse Paus

Weld-on lug compatible with Paus. Heavy steel design for direct welding to the attachment. axle 50mm. Price on request.



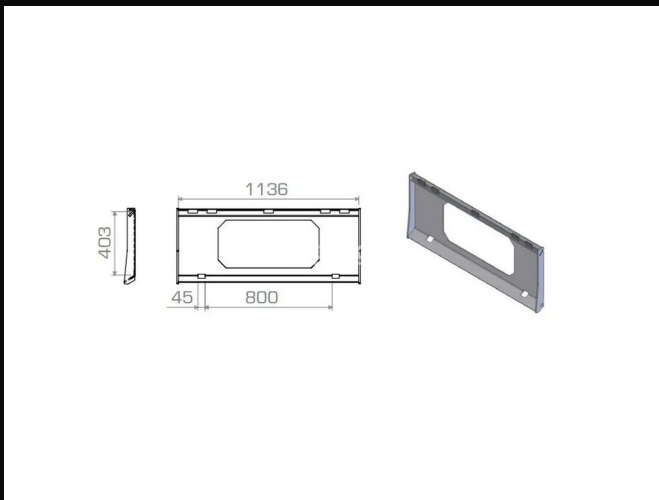
TECHNICAL DATA

- › Euro mount compatible with GP010
- › Heavy-duty steel construction · Hardox wear parts
- › Tool-free quick-change
- › Spare parts in stock · Service in DE/EN

WELD-ON PARTS / CUTTING SET

Anschweißteil Bobcat, schränklader plaat

Weld-on adapter compatible with Bobcat, schränklader plaat. Precision-machined steel design for secure mounting on the quick-coupler. Supplied as a set, price on request.



TECHNICAL DATA

- › Euro mount compatible with GP010
- › Heavy-duty steel construction · Hardox wear parts
- › Tool-free quick-change
- › Spare parts in stock · Service in DE/EN

WELD-ON PARTS / CUTTING SET

Anschweißöse Schäffer aanlasoren schuin hydro(645MM)

Weld-on lug compatible with Schäffer aanlasoren schuin hydro(645MM). Heavy steel design for direct welding to the attachment. axle 40mm. Price on request.



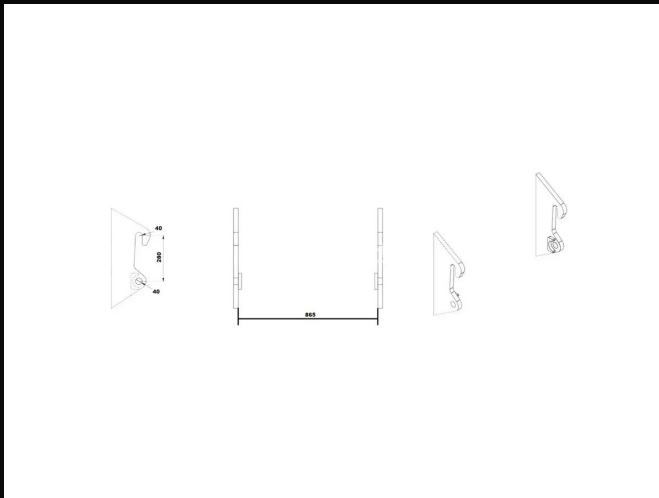
TECHNICAL DATA

- › Euro mount compatible with GP010
- › Heavy-duty steel construction · Hardox wear parts
- › Tool-free quick-change
- › Spare parts in stock · Service in DE/EN

WELD-ON PARTS / CUTTING SET

Anschweißöse Schäffer aanlasoren schuin hydro(865MM)

Weld-on lug compatible with Schäffer aanlasoren schuin hydro(865MM). Heavy steel design for direct welding to the attachment. axle 40mm. Price on request.



TECHNICAL DATA

- › Euro mount compatible with GP010
- › Heavy-duty steel construction · Hardox wear parts
- › Tool-free quick-change
- › Spare parts in stock · Service in DE/EN

WELD-ON PARTS / CUTTING SET

Anschweißteil Schaffer koker gesneden

Weld-on adapter compatible with Schaffer koker gesneden. Precision-machined steel design for secure mounting on the quick-coupler. Supplied as a set, price on request.



TECHNICAL DATA

- › Euro mount compatible with GP010
- › Heavy-duty steel construction · Hardox wear parts
- › Tool-free quick-change
- › Spare parts in stock · Service in DE/EN

WELD-ON PARTS / CUTTING SET

Anschweißteil Schaffer koker opname / JCB 403 op plaat

Weld-on adapter compatible with Schaffer koker opname / JCB 403 op plaat. Precision-machined steel design for secure mounting on the quick-coupler. Supplied as a set, price on request.



TECHNICAL DATA

- › Euro mount compatible with GP010
- › Heavy-duty steel construction · Hardox wear parts
- › Tool-free quick-change
- › Spare parts in stock · Service in DE/EN

WELD-ON PARTS / CUTTING SET

Anschweißteil Thaler gelast op plaat

Weld-on adapter compatible with Thaler gelast op plaat. Precision-machined steel design for secure mounting on the quick-coupler. Supplied as a set, price on request.



TECHNICAL DATA

- › Euro mount compatible with GP010
- › Heavy-duty steel construction · Hardox wear parts
- › Tool-free quick-change
- › Spare parts in stock · Service in DE/EN

Weld-on Parts / Cutting Set

BONUS

50+ adapter sets for all major OEM brands

Complete catalogue of weld-on parts, cutting sets and adapters for Volvo, CAT, JCB, Liebherr, Hitachi, Komatsu, Hyundai, Kubota and more — available directly online. Scan the QR code for your language and configure your matching set.

SCAN QR — ONLINE CATALOGUE



NL · Nederlands



PL · Polski



DE · Deutsch



EN · English

gp-maschinen.de/kategorie/anschweiss · [?lang=de](https://gp-maschinen.de/?lang=de) · [?lang=en](https://gp-maschinen.de/?lang=en) · [?lang=nl](https://gp-maschinen.de/?lang=nl) · [?lang=pl](https://gp-maschinen.de/?lang=pl)

Contact

Get in touch — we will be glad to advise you personally.

G&P Maschinen GmbH

Address: Industriestrasse, Gehrden, Germany

Phone: +49 151 6126 3077

Email: info@gp-maschinen.de

Web: gp-maschinen.de

Office hours: Mon–Fri 08:00–17:00

Final assembly: Gehrden

Service & spare parts: in DE / EN